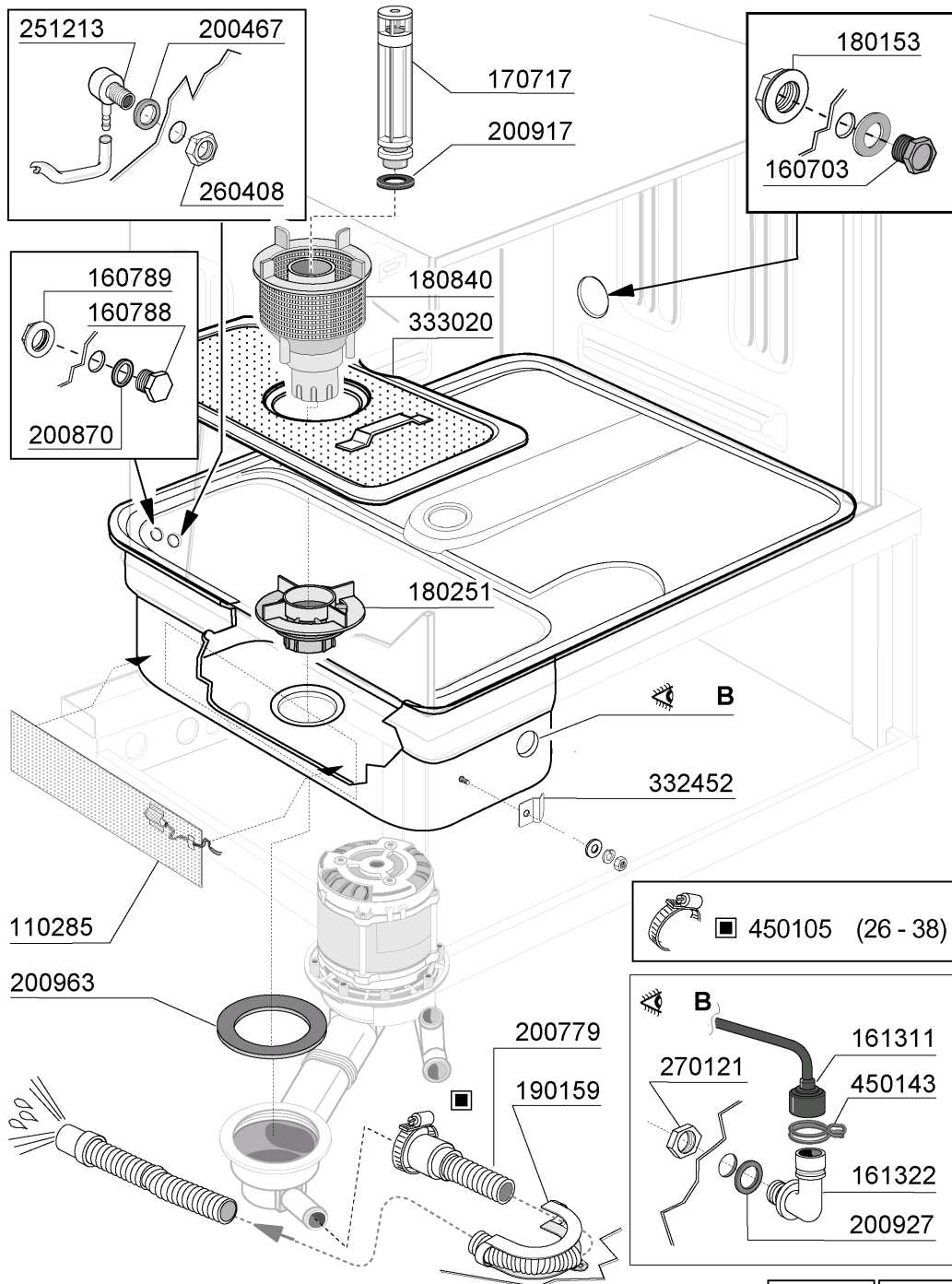


04 - 2008 | M. SA.

AGGIORNATO ai: 14 APRILE 08

2 - Hood

CODE	DESCRIPTION
120304	DOOR MICROSWITCH
150819	CABLE HOLDER PG16 WITH HOLE
150849	PASSAC. RIGIDO TUBI FC2006
150850	FERMATUBO PRESS.A MOLLETTA
160542	SCREW SUPPORT
160552	SPRING SUPPORT
160553	SCREW
190679	PIN
200219	RUBBER GASKET
210207	FOOT BHC
260201	SCREW TCP 3X10
260206	SCREW TCP 4X22
260715	SCREW 3,5X16
322873	COVER FCM
323154	DOOR FC3
323163	DOOR FC4
330893	BUSH
340416	PIN
341218	HINGE PIN B-F-G
342321	HOOD FC4
342322	HOOD FC3
352029	RIGHT SIDE PANEL
352030	LEFT SIDE PANEL FC4
352031	RIGHT SIDE PANEL FC3
352032	LEFT SIDE PANEL FC3
352033	FRONT PANEL FC2006
390188	BACK PANEL
390189	BACK PANEL FC3
391334	SPRING FOR DOOR FC4
391335	DOOR CATCH SPRING
391336	DOOR SPRING FC3
450821	SPRING CLIP FASTENER SNU 3634

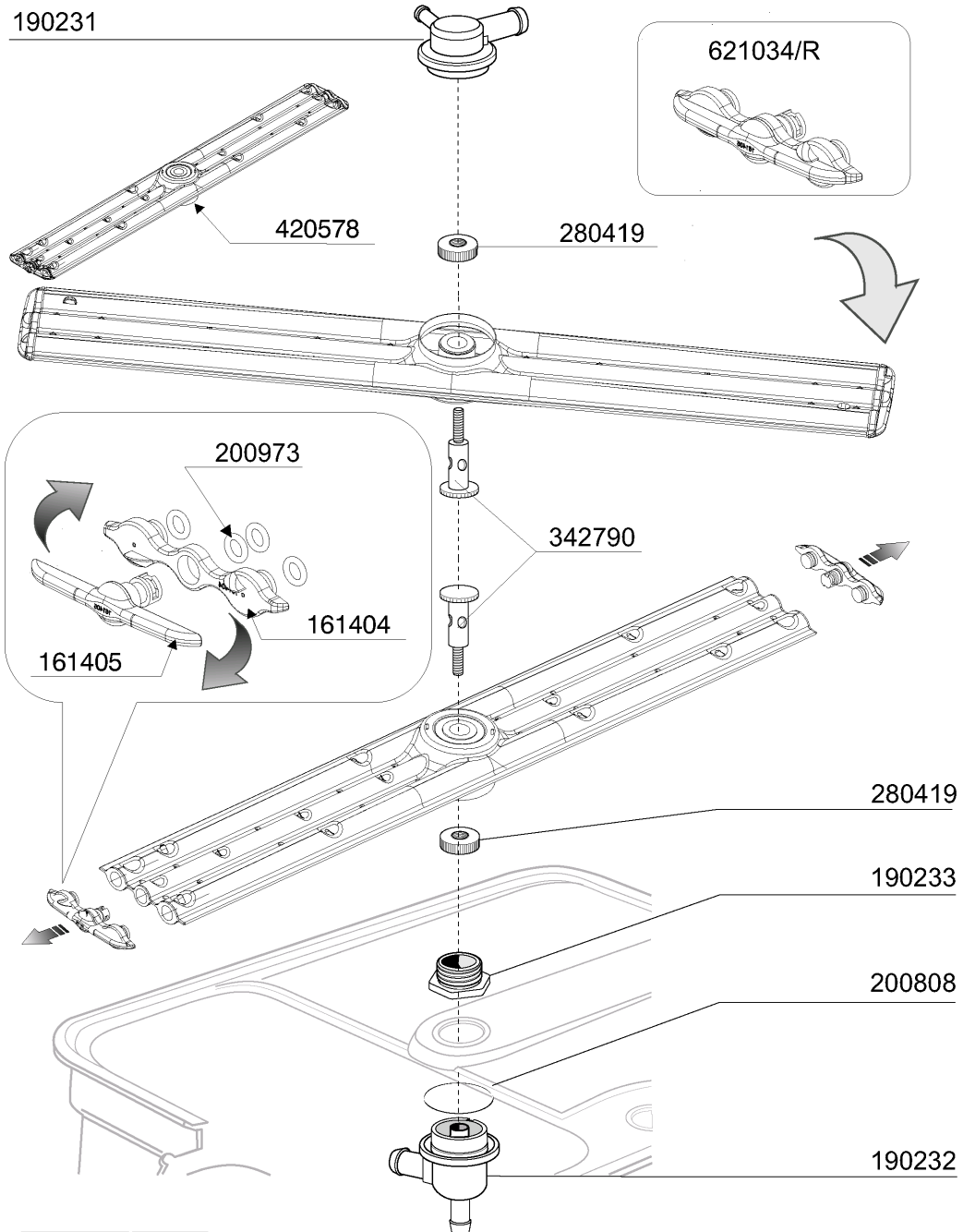


AGGIORNAMENTO al: 22 APRILE 08

04 - 2008 | M. SA.

3 - Tank

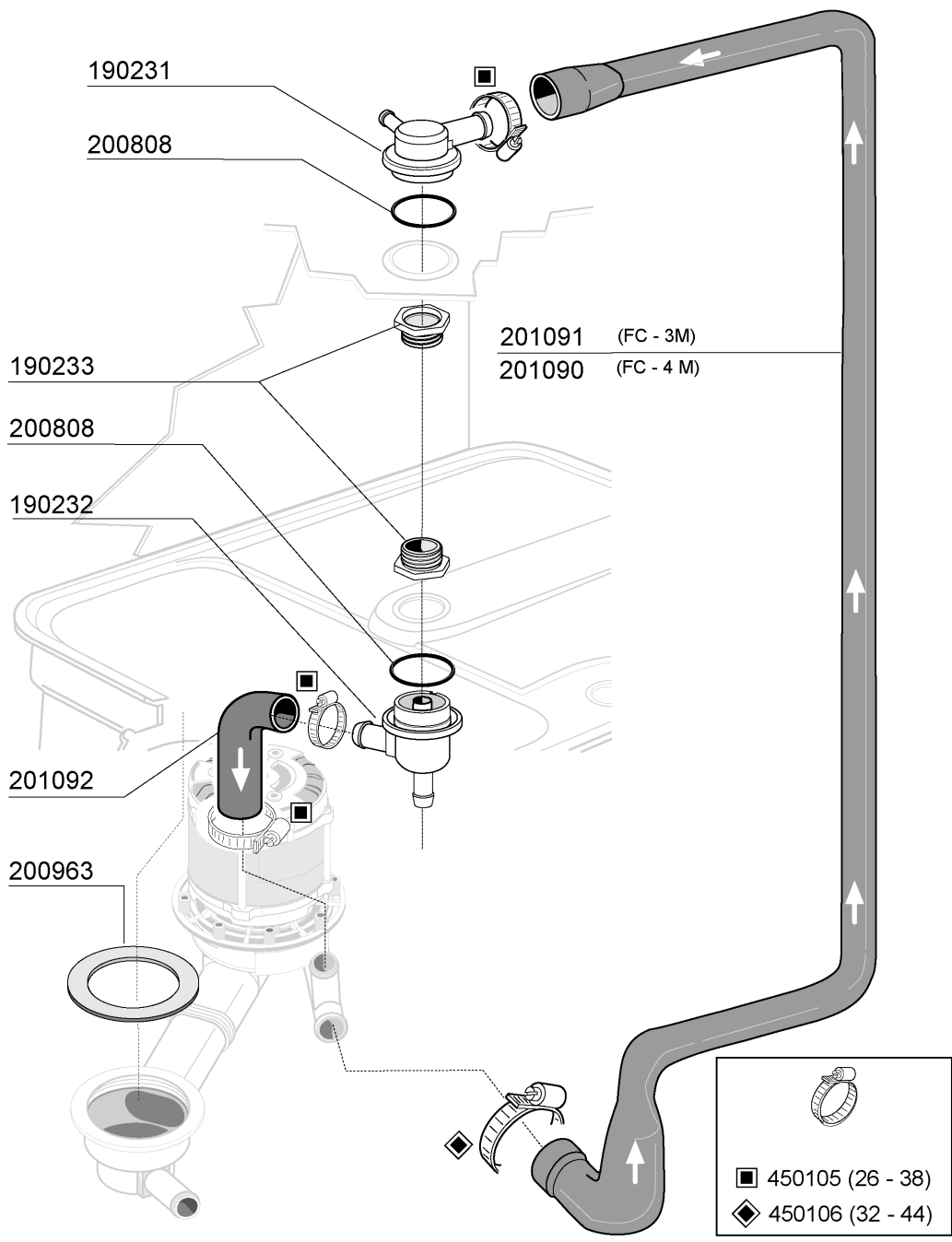
CODE	DESCRIPTION
110285	HEATER 500W
160703	BLACK PLUG WITH GASKET 3/8"GAK
160788	PLUG
160789	NUT
161311	HOSE FOR AIR CHAMBER BC-BR-AC9
161322	AIR TRAP FC2006
170717	OVERFLOW PIPE FC2006
180153	NUT 3/8"
180251	FIXING NUT FOR PUMP FC2006
180840	FCM FILTER
190159	DRAIN HOSE SUPPORT FCM/FCMA
200467	DUTRAL GASKET F. AIR TRAP
200779	DRAIN HOSE FOR BR-BC-FC43
200870	GASKET 18X10X2
200917	GASKET FOR OVERFLOW PIPE BR-BC
200927	GASKET FOR AIR TRAP
200963	JOINT 110X88X3
251213	INJECTIOR S/S FOR DETERGENT IN
260408	S/S NUTS D.12
270121	NUT FOR AIR TRAP
332452	BRACKET
333020	TANK FILTER FC2006
450105	CLAMP FE ZN. 26-38 H=12,2
450143	CLAMP D.39,7 X 37,7



01-2011 M. SA.

4 - Wash arm

CODE	DESCRIPTION
161404	PLUG
161405	PLUG
190231	UPPER ARM SUPPORT FC2006
190232	LOWER ARM SUPPORT FC2006
190233	ARM SUPPORT
200808	OR GASKET 3,53X50,80X57,86
200973	JOINT OR 1.78X5.28
280419	LOCK NUT
342790	RINSE SUPPORT
420578	WASH AND RINSE ARM FC2006
621034/R	ARM PLUG

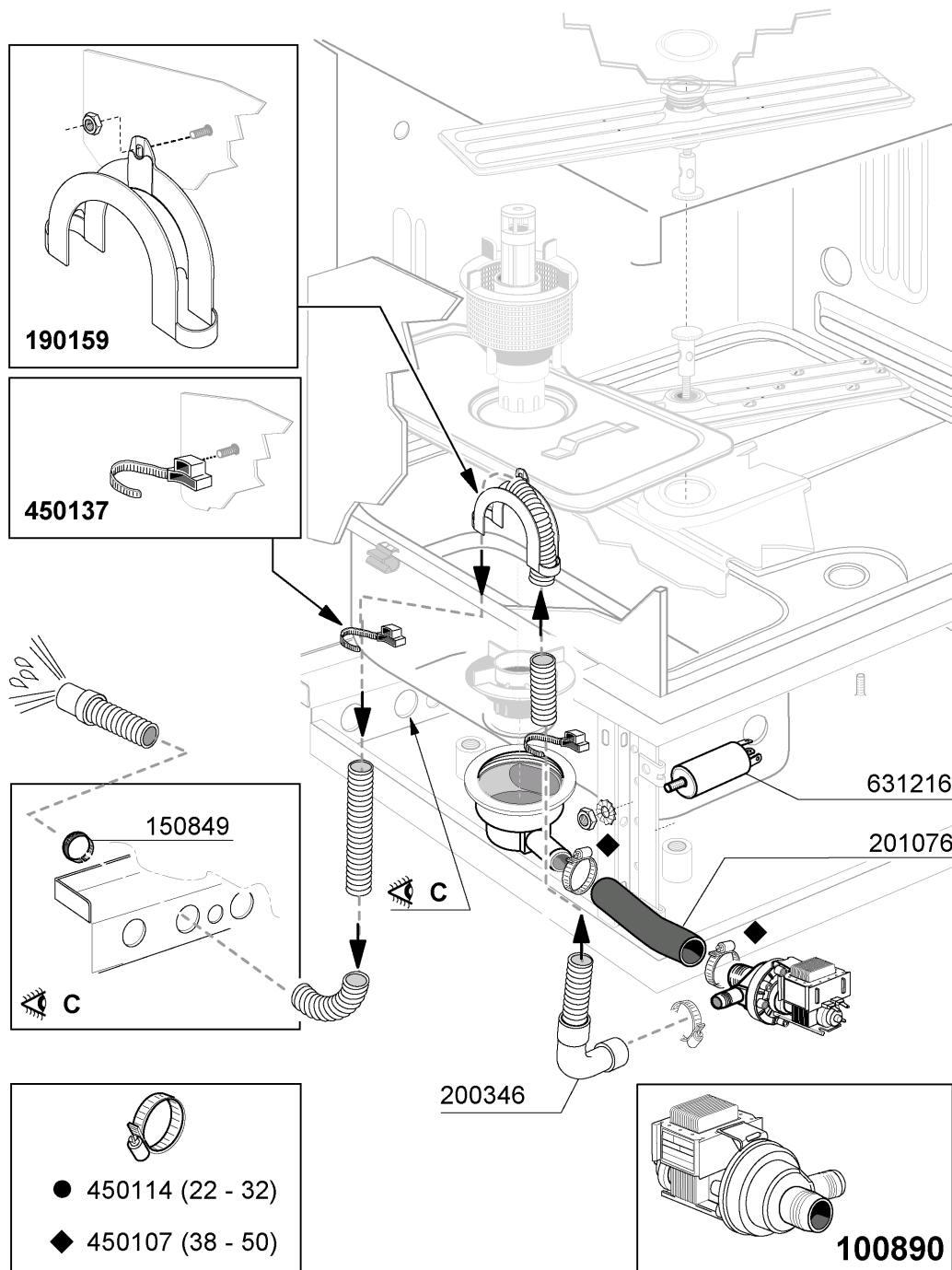


AGGIORNAMENTO AL: 22 Aprile 08

04 - 2008 | M. SA.

5 - Wash

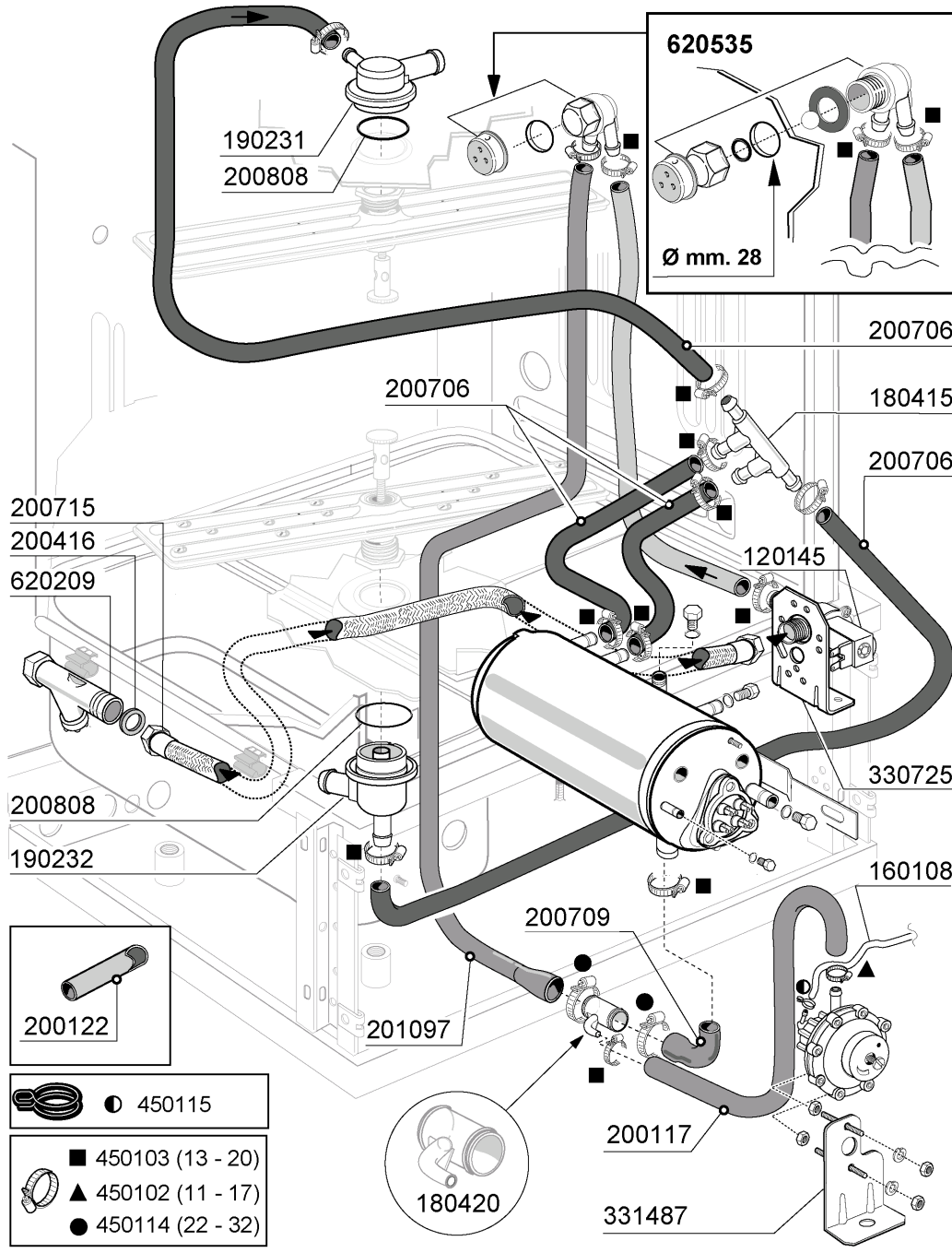
CODE	DESCRIPTION
190231	UPPER ARM SUPPORT FC2006
190232	LOWER ARM SUPPORT FC2006
190233	ARM SUPPORT
200808	OR GASKET 3,53X50,80X57,86
200963	JOINT 110X88X3
201090	UPPER WASH HOSE FC4
201091	WASH HOSE FC3
201092	LOWER WASH HOSE FC
450105	CLAMP FE ZN. 26-38 H=12,2
450106	CLAMP FE ZN 32-44 H=12,2



04 - 2008 | M. SA.

6 - Drain pump

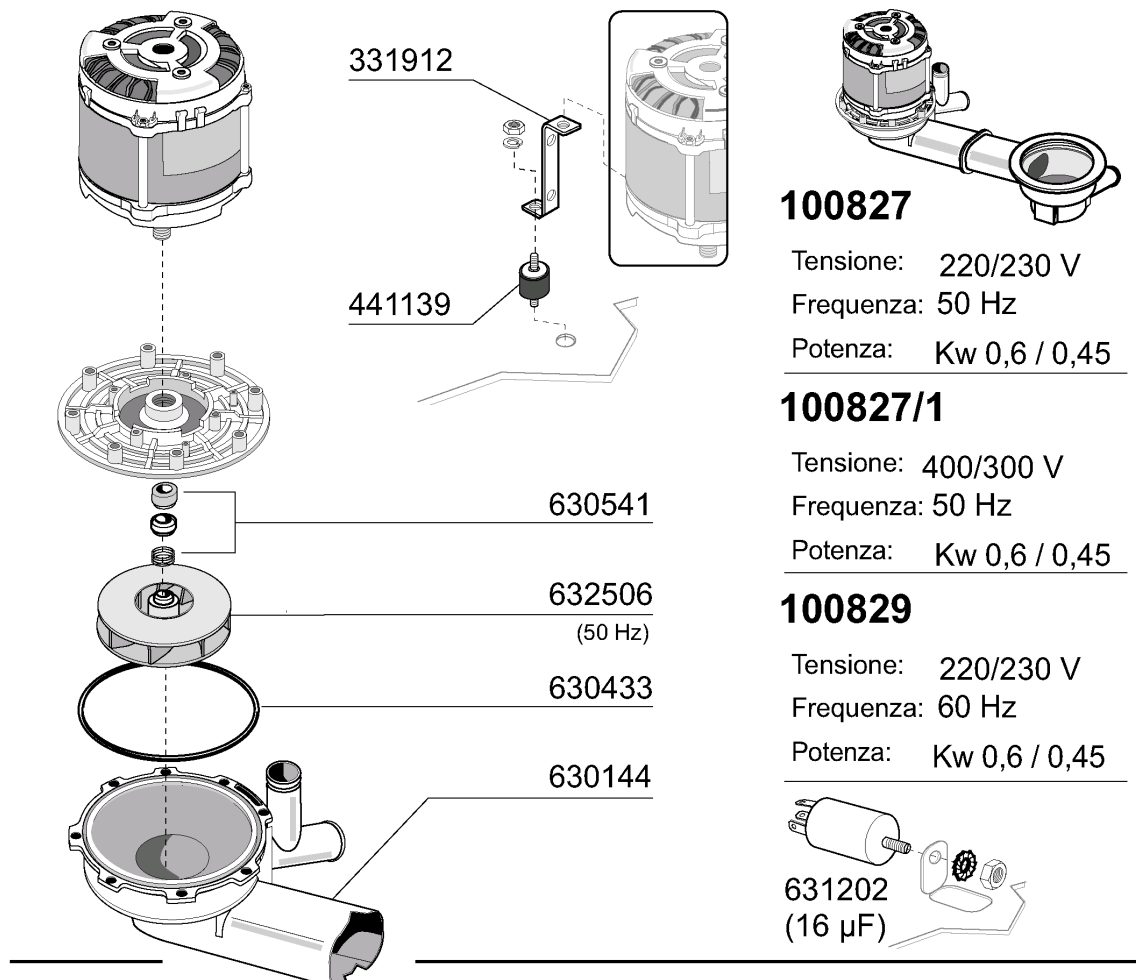
CODE	DESCRIPTION
100890	DRAIN PUMP 30W 220/50
150849	PASSAC. RIGIDO TUBI FC2006
190159	DRAIN HOSE SUPPORT FCM/FCMA
200346	DRAIN HOSE GLASSWASHER
201076	HOSE
450107	CLAMP FE ZN 38-50 H=12,2
450114	CLAMP FE ZN.22-32 H=12,2
450137	COLLAR CONNECTION WITH BASE 31
631216	CAPACITOR 6.3 MF 450V



04 - 2008 | M. SA.

7 - Rinse

CODE	DESCRIPTION
120145	SOLENOID VALVE 12 LT 1 WAY
160108	INJECT.INLET HOSE D.8X5
180415	TEE NIPPLE DOUBLE "T"
180420	TEE-NIPPLE
190231	UPPER ARM SUPPORT FC2006
190232	LOWER ARM SUPPORT FC2006
200117	RUBBER HOSE 7X16
200122	HOSE 11X19
200416	GASKET D. 3/4"
200706	RINSE HOSE
200709	RINSE PUMP INLET HOSE
200715	HOSE WATER INLET 2M STAINL.ST
200808	OR GASKET 3,53X50,80X57,86
201097	HOSE
330725	STANDARD BRACKET F.SOLEN.VALV
331487	BRACKET FOR 1 THERMOSTAT
450102	CLAMP FE ZN 11-17 H=9
450103	CLAMP FE ZN. 13-20 H=9
450114	CLAMP FE ZN.22-32 H=12,2
450115	ELASTIC CLAMP D.8,3/7,8
620209	INLET WATER FILTER
620535	VACUUM BREAKER



100827

Tensione: 220/230 V
 Frequenza: 50 Hz
 Potenza: Kw 0,6 / 0,45

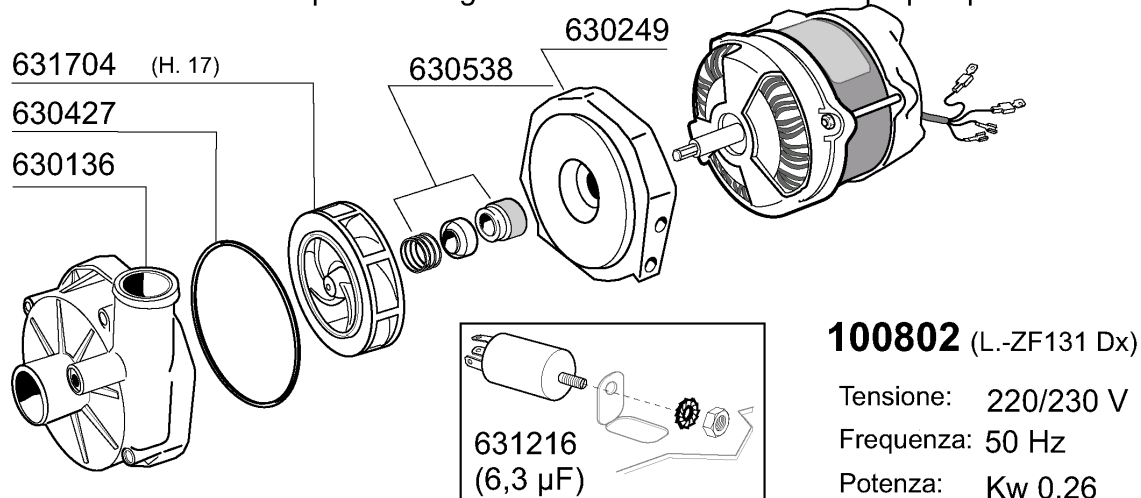
100827/1

Tensione: 400/300 V
 Frequenza: 50 Hz
 Potenza: Kw 0,6 / 0,45

100829

Tensione: 220/230 V
 Frequenza: 60 Hz
 Potenza: Kw 0,6 / 0,45

Risciacquo - Rincage - Rinse - Aclarado - Nachspülpumpe



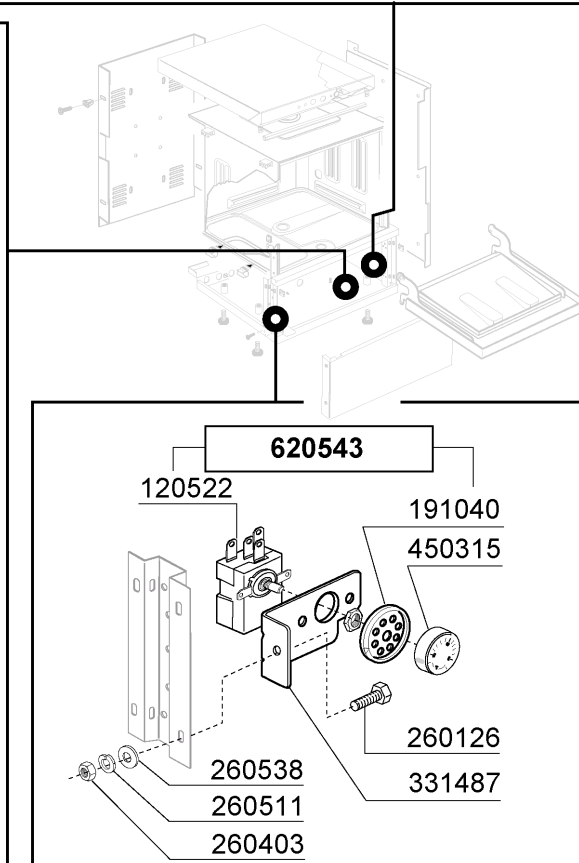
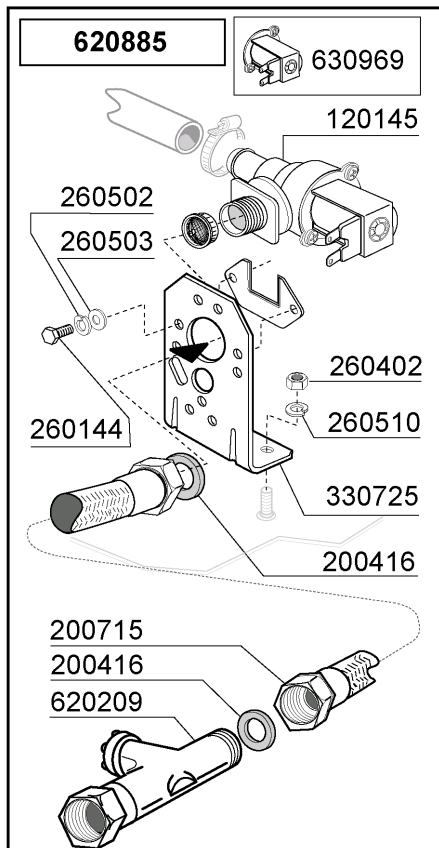
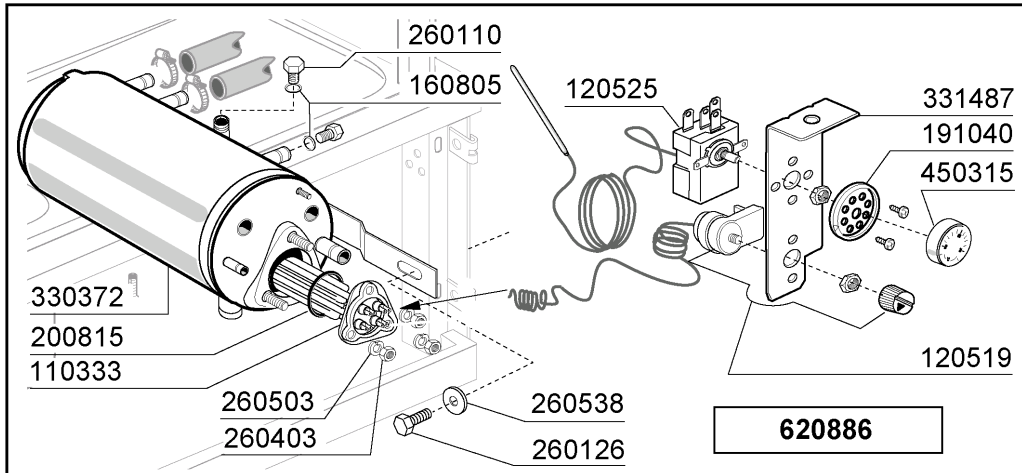
100802 (L.-ZF131 Dx)

Tensione: 220/230 V
 Frequenza: 50 Hz
 Potenza: Kw 0,26

05- 2011 | M. SA.

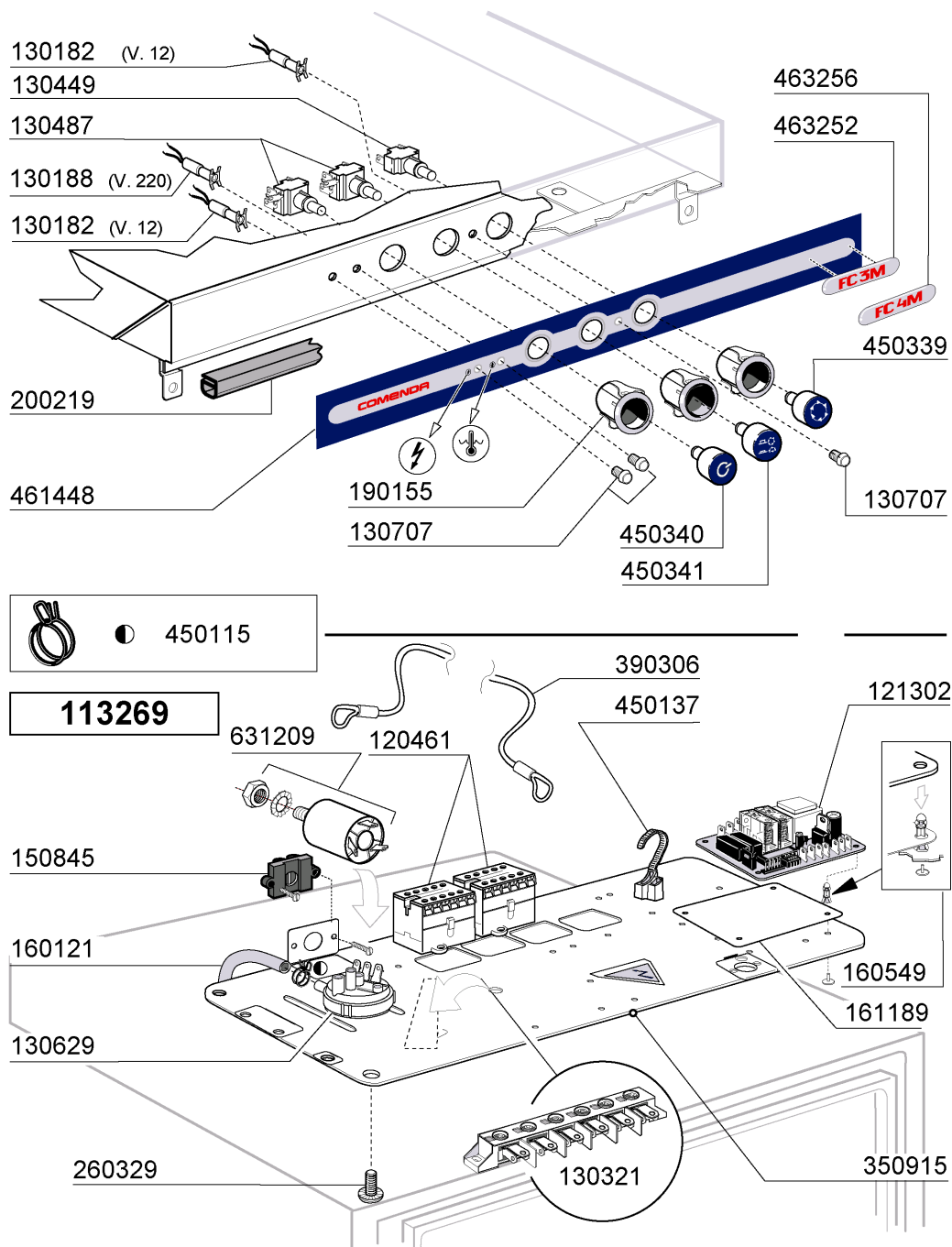
8 - Pump

CODE	DESCRIPTION
100802	PUMP HP 0,3 230V-50HZ
100827	WASH PUMP HP0,6 FC2006
100827/1	PUMP HP 0,6 LGB FC06 400/3/50
100829	PUMP HP 0,6 LGB FC06 60HZ
331912	BRACKET
441139	VIBRATION-DAMPING FEET 25X20X6
630136	PUMP VOLUTE LGB ZF131DX
630144	PUMP VOLUTE
630249	PUMP FLANGE ZF131 DX
630427	O-RING FOR PUMP ZF131DX
630433	GASKET FOR PUMP 100827
630538	SEAL LGBZF131DX
630541	SEAL FOR PUMP 100827
631202	CONDENSER 16 MF 450V
631216	CAPACITOR 6.3 MF 450V
631704	PUMP IMPELLER ZF131DX
632506	PUMP IMPELLER 100827 50HZ



9 - Thermostat/solenoid valve

CODE	DESCRIPTION
110333	HEATER 7KW 230/400V
120145	SOLENOID VALVE 12 LT 1 WAY
120519	SECURITY THERMOSTAT 95-125Ø
120522	TANK THERMOSTAT 90Ø
120525	BOOSTER THERMOSTAT 2 TEMPERAT.
160805	GASKET D.8
191040	FRAME F.THERMOSTAT KNOB
200416	GASKET D. 3/4"
200715	HOSE WATER INLET 2M STAINL.ST
200815	O-RING F. HEAT.ELEM.
260110	SCREW TE 8X10
260126	SCREW TE 5X12
260144	SCREW TE 4X6
260402	STAINLESS STEEL NUT D4 UNI 55
260403	NUTS D.5
260502	S/S FLAT WASHER D.4
260503	STAINL.STEEL FLAT WASHER D5 UN
260510	GROWER WASHER D.4
260511	GROWER WASHER D.5
260538	WASHER 18X6X1,5 ST/ST
330372	BOILER FC2006
330725	STANDARD BRACKET F.SOLEN.VALV
331487	BRACKET FOR 1 THERMOSTAT
450315	KNOB F. THERMOSTAT 90Ø
620209	INLET WATER FILTER
620543	TANK THERMOSTAT ASSY
620885	SOLENOID VALVE KIT FCM
620886	THERMOSTATS KIT FCM
630969	COIL S4216 220/50HZ

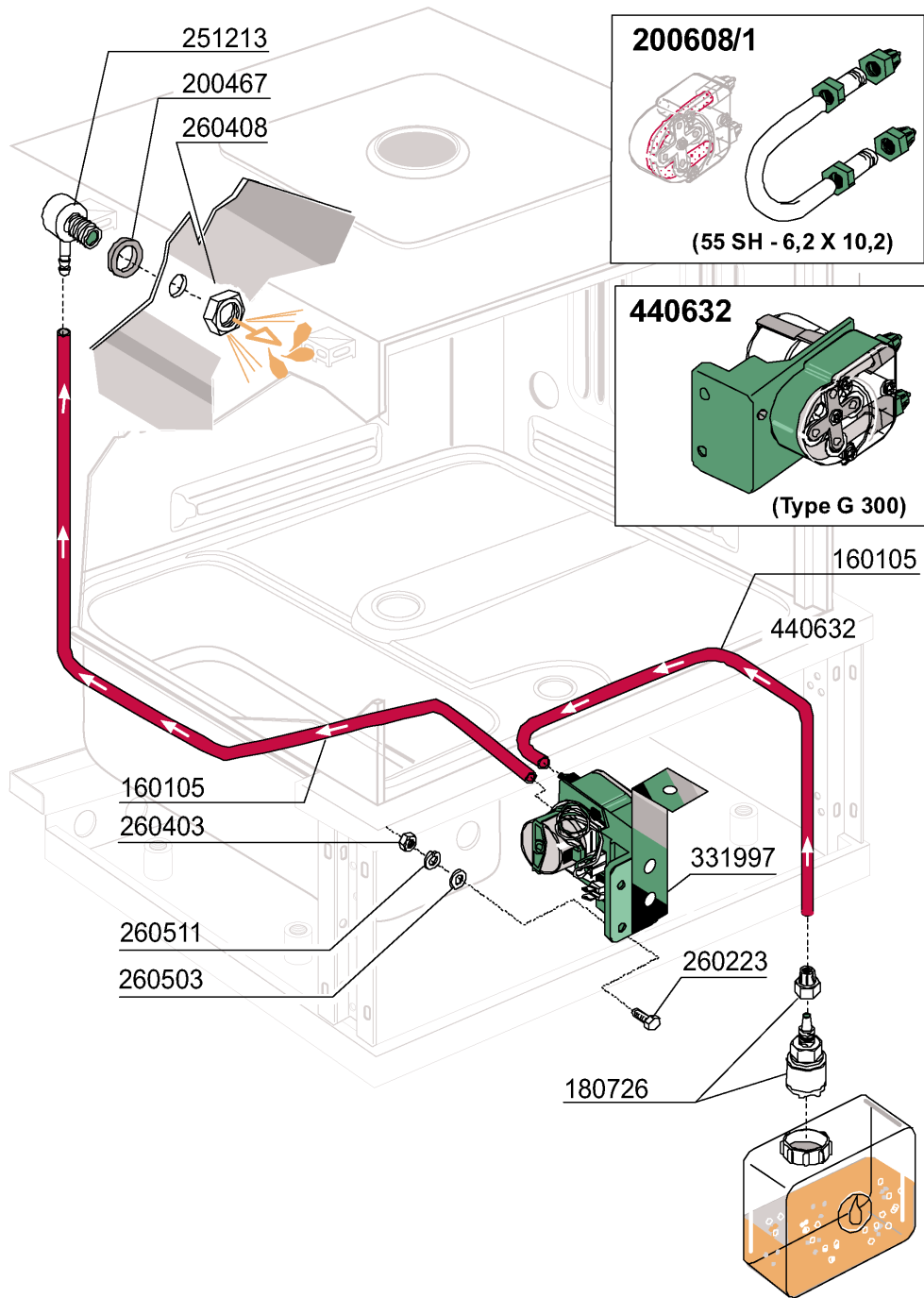


04-2008 | M. SA.

AGGIORNAMENTO al: 15 APRILE 08

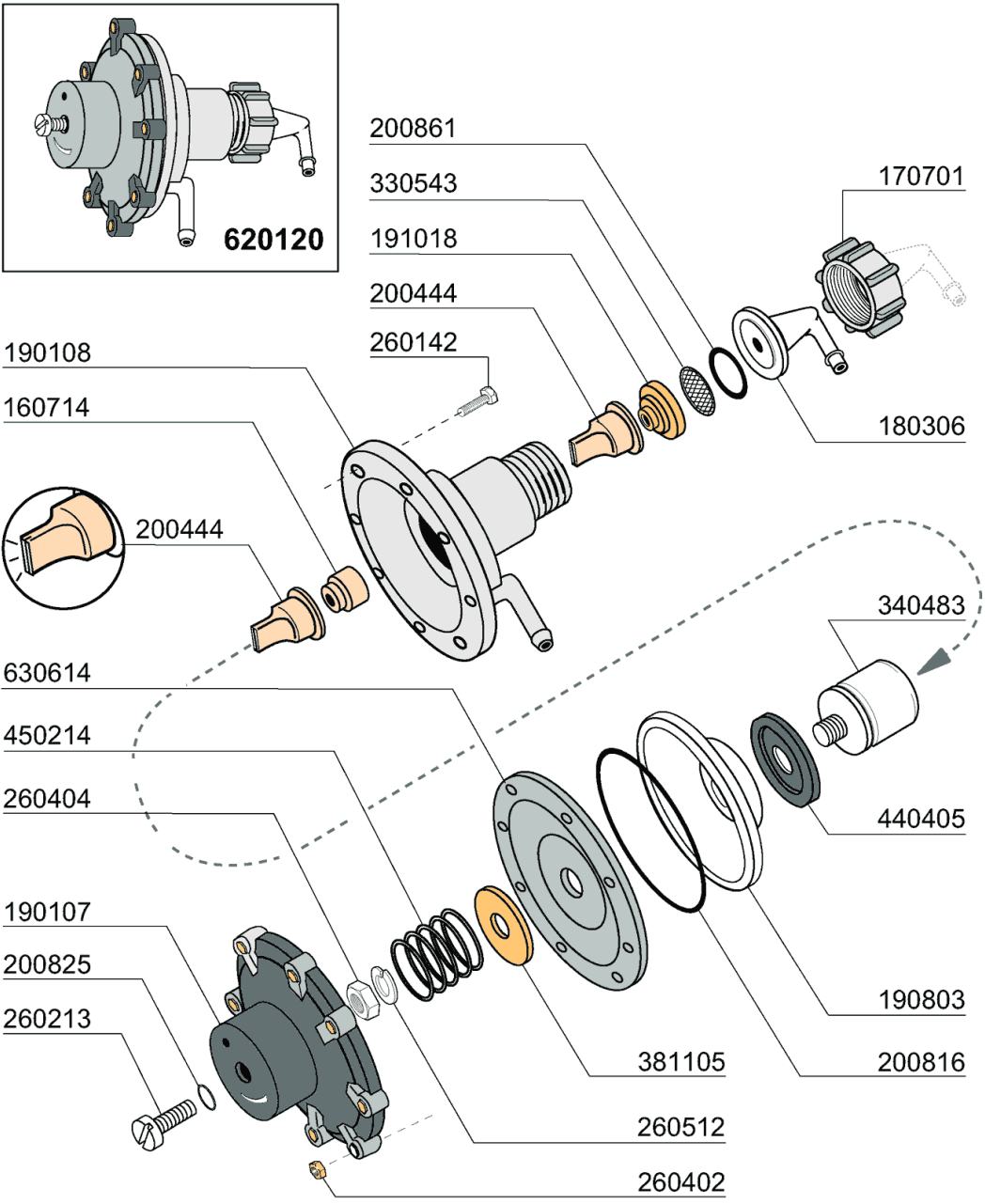
10 - Control box

CODE	DESCRIPTION
113269	CABLE FCM
120461	CONTACTOR ABB B6-30-01 220V
121302	PCB FCM
130182	GREEN LAMP 12V
130188	GREEN LED 220V
130321	JUNCTION BOX 6 CONNECTORS
130449	PUSH BUTTON BR-BC-FC
130487	SWITCH
130629	PRESSURE SWITCH 1L30-12
130707	TRANSPARENT LENS COVERS (C-SER
150845	PRESSACAVO SERIM 4228B
160121	HOSE EPDM D. 5 X 9
160549	SUPPORT
161189	COVER
190155	BUTTON HOLDER
200219	RUBBER GASKET
260329	VITE M5X12 SPEC.ZIGR.SOTTOTEST
350915	CONTROL PANEL SUPPORT
390306	CABLE
450115	ELASTIC CLAMP D.8,3/7,8
450137	COLLAR CONNECTION WITH BASE 31
450339	PUSH BUTTON "CYCLE"
450340	PUSH BUTTON
450341	PUSH BUTTON
461448	PLATE FCM
463252	FC3M NAME
463256	FC4M NAME
631209	ANTI-NOISE FILTER



11 - Detergent dispenser

CODE	DESCRIPTION
160105	INJECT.INLET HOSE D.6X4
180726	STREINER FOR RINSE AID INJECTO
200467	DUTRAL GASKET F. AIR TRAP
200608/1	HOSE FOR DISPENSER GERMAC G300
251213	INJECTIOR S/S FOR DETERGENT IN
260223	M5X12 MSH/HD SCREW SPECIAL S/S
260403	NUTS D.5
260408	S/S NUTS D.12
260503	STAINL.STEEL FLAT WASHER D5 UN
260511	GROWER WASHER D.5
331997	BRACKET
440632	DETERGENT INJECTOR



09 - 2007 | S. AG.

12 - Rinse aid injector

CODE	DESCRIPTION
160714	PLUG FOR RINSE AID INJECTOR MO
170701	LOCK NUT 1/2" F.INJECTOR
180306	NIPPLE F.RINSE AID INJECTOR
190107	COVER FOR RINSE AID DISPENSER
190108	VOLUTE FOR RINSE AID DISPENSER
190803	GASKET SUPPORT RING F.INJECT
191018	FILTER SUPPORT RINSE AID INJEC
200444	SUCTION VALVE RINSE INJECTOR
200816	O-RING 2,5X59,2X64,2 RINSE INJ
200825	O-RING 3X5X11 RINSE INJECTOR
200861	O-RING 14X18X2
260142	SCREW TE 4X16
260213	SCREW TCP 5X25
260402	STAINLESS STEEL NUT D4 UNI 55
260404	STAINLESS STEEL NUTS D6 UNI 55
260512	ST/ST GROWER WASHER D6
330543	FILTER RINSE AID INJECTOR D.17
340483	PISTON FOR RINSE AID DISPENSER
381105	DIAPHRAGME DISC
440405	GASKET FOR RINSE AID INJ.
450214	SPRING RINSE AID INJECTOR
620120	RINSE AID INJECTOR
630614	DIAPHRAGM RINSE INJECTOR